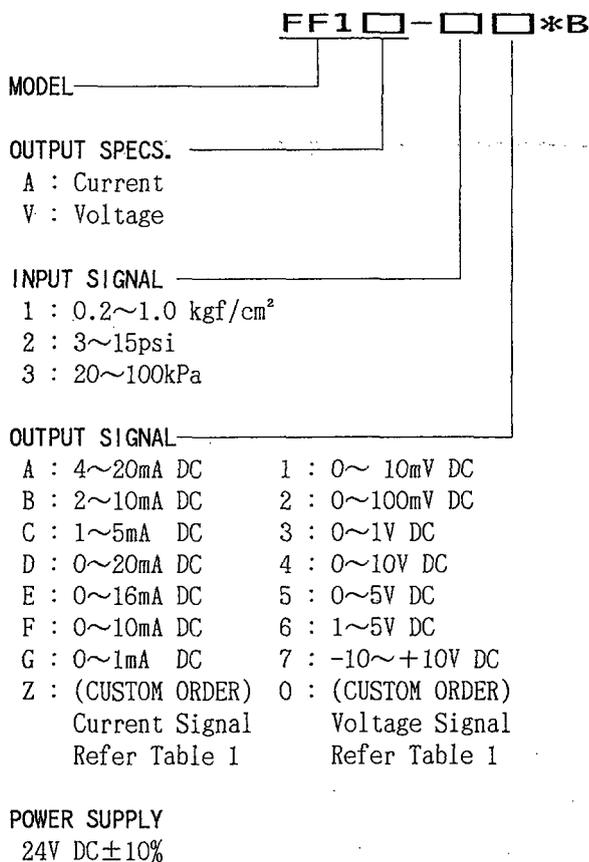


General Specifications

Model FF1A FF1V
P/E Transducer

JUXTA

This P/E transducer converts pneumatic signals of 20~100kPa, 0.2~1.0kgf/cm² or 3~15psi into current or voltage signals.
 ● Compact type, by using semi-conductor pressure sensor.



ORDERING INFORMATION

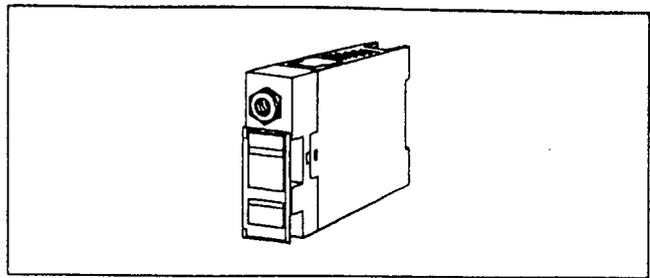
● Model Code : (Example) FF1A-1A*B

Input & Output	
Input signal : 20~100kPa, 0.2~1.0 kgf/cm ² or 3~15psi dry, non-corrosive air	
Permissible input pressure : Less than 200kPa, 2.0 kgf/cm ² or 28psi	
Input signal connecting hole : RC 1/8 (PT 1/8)	
Output signal : DC current or voltage signals	
Permissible load resistance :	
Output Range	Output Range
4~20mA DC below 750Ω	0~10mV DC over 250KΩ
2~10mA DC " 1500Ω	0~100mV DC " 250KΩ
1~5mA DC " 3000Ω	0~1V DC " 2KΩ
0~20mA DC " 750Ω	0~10V DC " 10KΩ
0~16mA DC " 900Ω	0~5V DC " 2KΩ
0~10mA DC " 1500Ω	1~5V DC " 2KΩ
0~1mA DC " 15KΩ	-10~+10V DC " 10KΩ
Zero point adjust range : ±5% of span	
Span adjust range : ±5% of span	
Standard Performance	
Accuracy rating : ±0.2% of span However, accuracy of output less than 0.5% is out of warranty in case of output range is 0~xmA	
Insulation resistance : More than 100MΩ (at 500V DC) between output ~power supply	
Voltage withstand : 500V AC/1 minute between output~power supply	
Temperature range : 0~50° C	
Humidity range : 5~90% RH (no condensation)	
Power voltage : 24V DC±10% (ripple content : 5% p-p or less)	
Effect of power voltage fluctuation : Less than ±0.1% of span for 24V DC±10% fluctuation	
Effect of ambient temperature change : Less than ±0.4% of span for 10° C change	
Current dissipation : 24V DC 75mA (FF1A) 45mA (FF1V)	
Mounting & Dimension & Accessories	
Materials : Case ABS plastic	
Mounting method : Rack, wall and DIN rail	
Connecting method : M4 screw terminal connection	
External dimension : 72x24x127mm (HxWxD)	
Weight : About 150g	
Accessories : Tag number label .. 1 Mounting Block 2 M4 Screw 2	

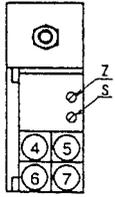
CUSTOM ORDER SPECS.....

Table 1 Manufacturable Range

	Current Signal	Voltage Signal
Output Range	0~24mA DC	-10~+10V DC
Span	1~24mA DC	10mV~20V DC
Zero Elevation	0~200%	-100~+200%



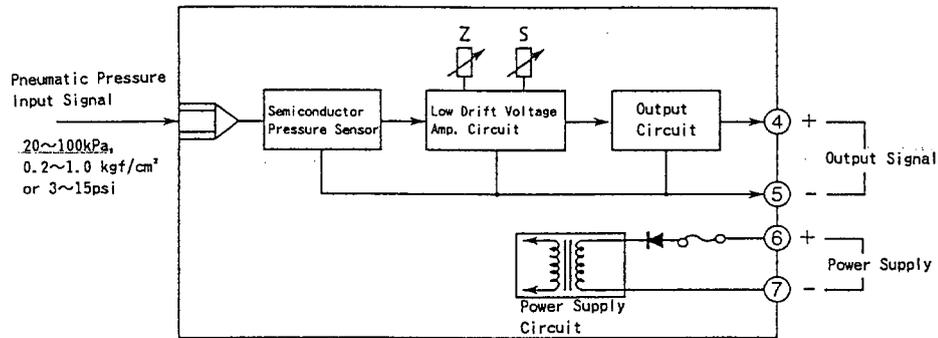
TERMINAL ARRANGEMENT.....



INPUT PNEUMATIC PRESSURE		
20~100kPa, 0.2~1.0 kgf/cm ² or 3~15psi		Rc 1/8 (PT 1/8)
4	OUTPUT (+)	
5	OUTPUT (-)	
6	SUPPLY (+)	
7	SUPPLY (-)	

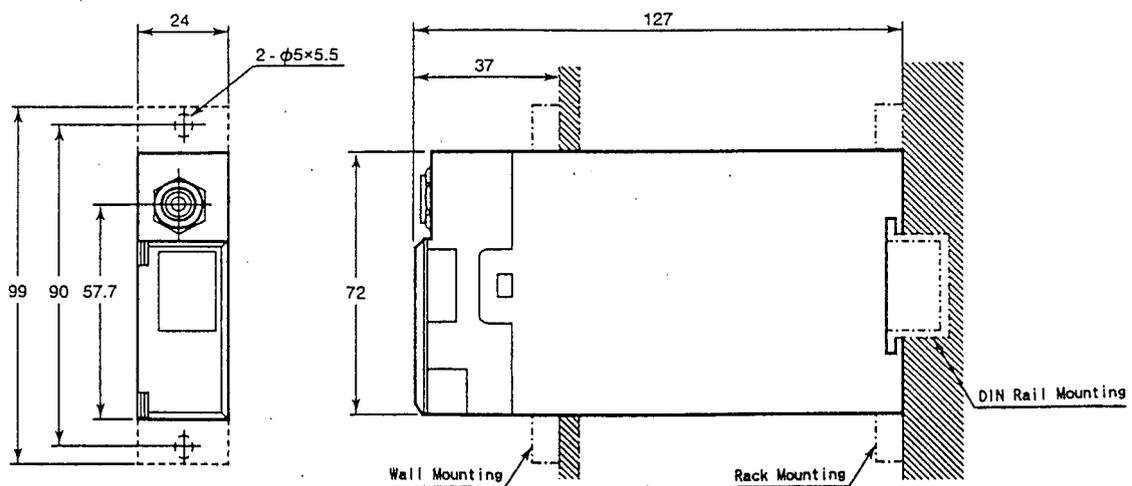
Z: Zero adjust trimmer
S: Span adjust trimmer

BLOCK DIAGRAM.....



EXTERNAL DIMENSIONS.....

Unit : mm



Subject to change without notice for grade up quality and performance